

Corrigendum- III

RFP for Procurement of 1 No. 400 KVA Modular UPS with Lithium –ion Batteries (expandable up to 500 KVA), which will work in N+2 redundancy model along with existing 2x400 KVA UPS units for DC –Belapur, Navi Mumbai

&

Procurement of 2x120 KVA Modular UPS units (expandable up to 200 KVA) with Batteries against Replacement of old UPS for DR site Chennai.

In response to queries received from various vendors for providing SLD for connecting the New UPS to the existing ones, the SLD is uploaded herewith. The last date of submission of tender is hence extended till April 30, 2024 by 3:00 PM and Technical Bids will open on the same date i.e April 30, 2024 at 3:30 PM.

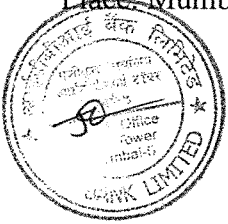
Note: All other terms and conditions remain unchanged.

Sd/-

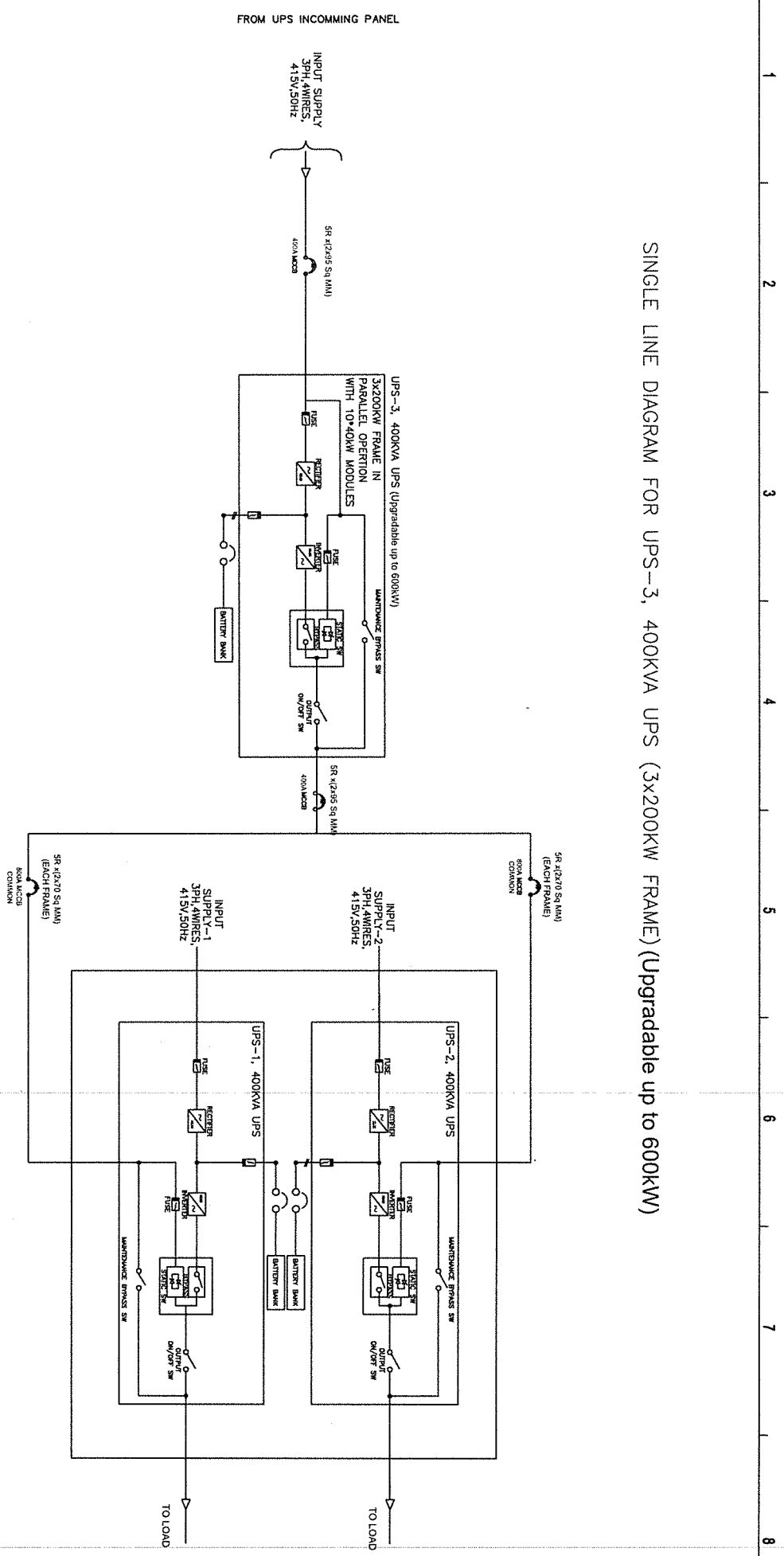
GM- IMD

Date: April 25, 2024

Place: Mumbai



SINGLE LINE DIAGRAM FOR UPS-3, 400KVA UPS (3x200KW FRAME) (Upgradable up to 600kW)



1 2 3 4 5 6 7 8